

ART2521

User's Manual



Beijing ART Technology Development Co., Ltd.

Contents

<i>Contents</i>	2
<i>Chapter 1 Overview</i>	3
<i>Chapter 2 Components Layout Diagram and a Brief Description</i>	4
2.1 The Main Component Layout Diagram	4
2.2 The Function Description for the Main Component	4
2.2.1 Signal Input and Output Connectors	4
2.2.2 Board Base Address Selection	5
Chapter 3 Signal Connectors.....	8
<i>Chapter 4 Connection Ways for Input and Output</i>	9
4.1 Open-collector Connection	9
<i>Chapter 5 Address Allocation Table</i>	10
<i>Chapter 6 Notes and Warranty Policy</i>	11
6.1 Notes	11
6.2 Warranty Policy.....	11
Products Rapid Installation and Self-check	12
Rapid Installation	12
Self-check	12
Delete Wrong Installation	12

Chapter 1 Overview

Unpacking Checklist

Check the shipping carton for any damage. If the shipping carton and contents are damaged, notify the local dealer or sales for a replacement. Retain the shipping carton and packing material for inspection by the dealer.

Check for the following items in the package. If there are any missing items, contact your local dealer or sales.

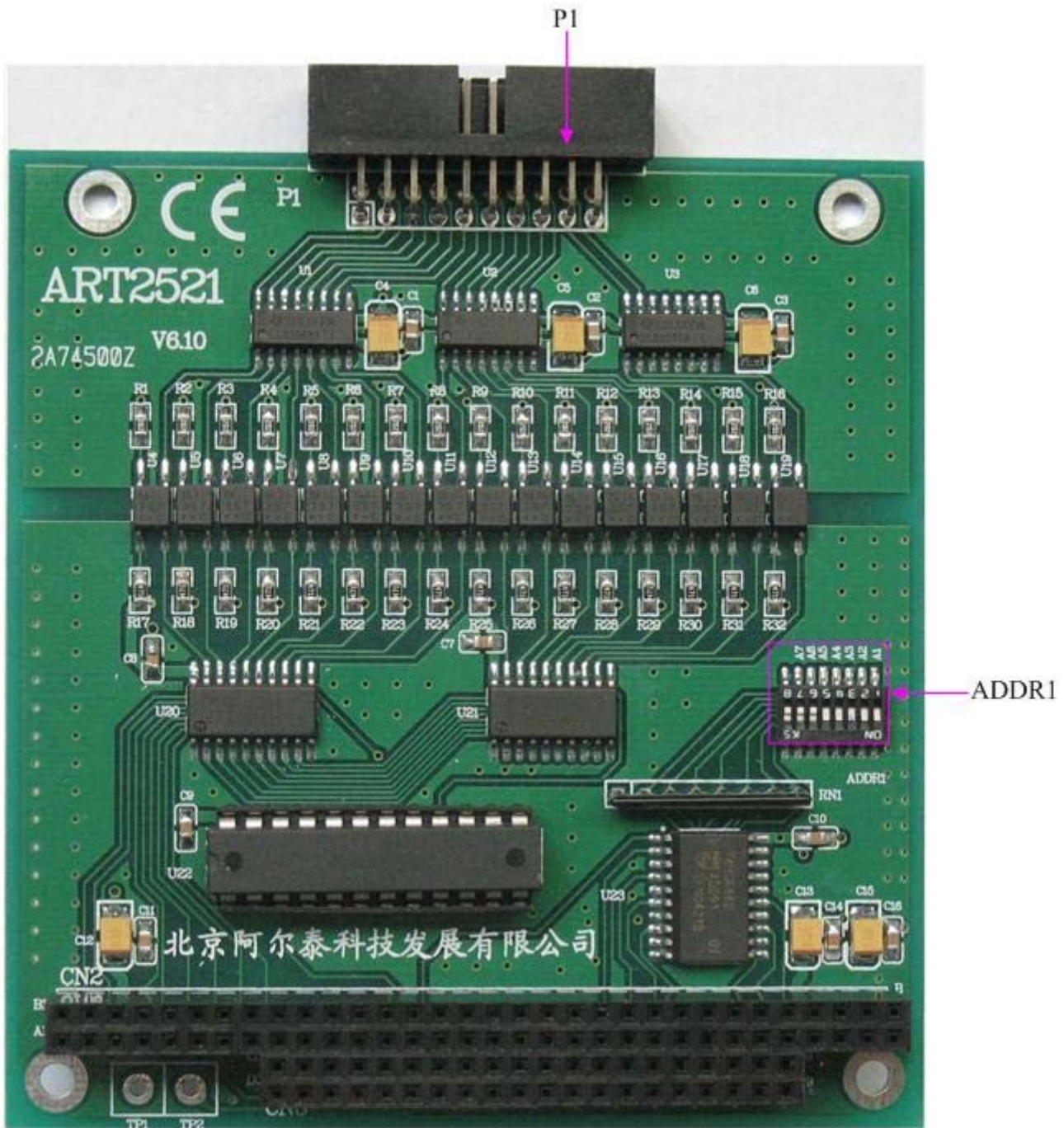
- Art2521 Data Acquisition Board
- ART Disk
 - a) user's manual (pdf)
 - b) drive
 - c) catalog
- Warranty Card

FEATURES

- 16-ch isolation digital output
- Output Type: open-collector
- Maximum Load: 30V, 100mA
- Isolation Voltage: 3750V
- Can drive power relay directly
- Dimension: 90mm (L) * 96mm (W) * 16 mm (H)

Chapter 2 Components Layout Diagram and a Brief Description

2.1 The Main Component Layout Diagram



2.2 The Function Description for the Main Component

2.2.1 Signal Input and Output Connectors

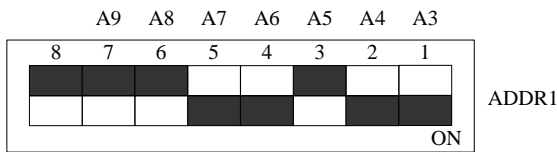
P1: digital output port

2.2.2 Board Base Address Selection

ADDR1: board base address DIP switches. Board base address can be set to binary code which from 200H to 3F0H be divided by 16, board base address defaults 300H, will occupy the base address of the date of 6 consecutive I/O addresses. Switch No. 7, 6, 5, 4, 3, 2, 1 correspond to address bits A9, A8, A7, A6, A5, A4, A3 are the base address of selector switch, Switch No. 8 are reserved bits.

Board base address selection is as follows: when the S1 switches dial to "ON" that means the low virtual is 0, the switch to the other side means the high virtual value is 1.

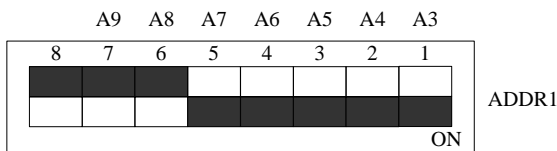
Board base address selection switch ADDR1 shown as following:



Base address configuration methods

Address bit	A11	A10	A9	A8	A7	A6	A5	A4	A3	A2	A1	A0
X is configurable bit	unused	unused	x	x	x	x	x	x	x	0	0	0
	The third hex bits				The second hex bits				The first hex bits			

Note: in the table, the bit which is labeled "0" is a fixed value, only the bit that labeled "x" can be changed by the S1. For example, the default base addresses is 300H, A8, A9 = "OFF", shown as the following:



Common base address

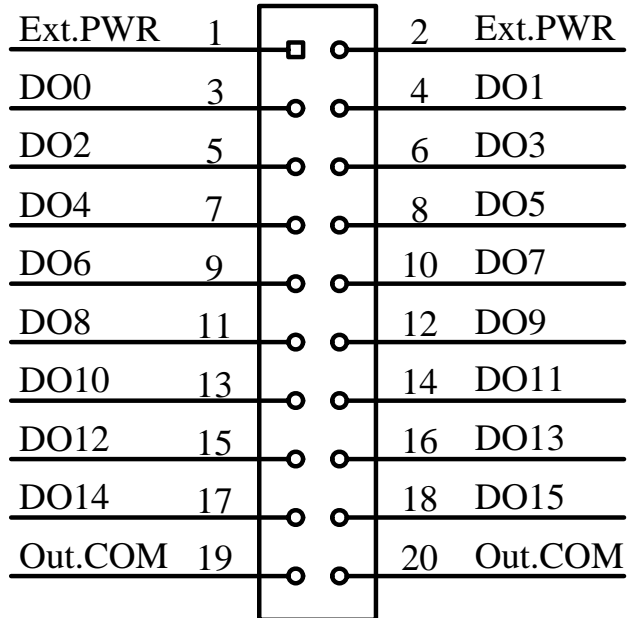
Adr	ADDR1	Adr	ADDR1
200H		210H	
220H		230H	
240H		250H	

260H		270H	
280H		290H	
2A0H		2B0H	
2C0H		2D0H	
2E0H		2F0H	
300H		310H	
320H		330H	
340H		350H	
360H		370H	
380H		390H	
3A0H		3B0H	

<p>3C0H</p>	<p>A9 A8 A7 A6 A5 A4 A3</p> <p>8 7 6 5 4 3 2 1</p> <p>ADDR1</p> <p>ON</p>	<p>3D0H</p>	<p>A9 A8 A7 A6 A5 A4 A3</p> <p>8 7 6 5 4 3 2 1</p> <p>ADDR1</p> <p>ON</p>
<p>3E0H</p>	<p>A9 A8 A7 A6 A5 A4 A3</p> <p>8 7 6 5 4 3 2 1</p> <p>ADDR1</p> <p>ON</p>	<p>3F0H</p>	<p>A9 A8 A7 A6 A5 A4 A3</p> <p>8 7 6 5 4 3 2 1</p> <p>ADDR1</p> <p>ON</p>

Chapter 3 Signal Connectors

P1: 20-pin definition

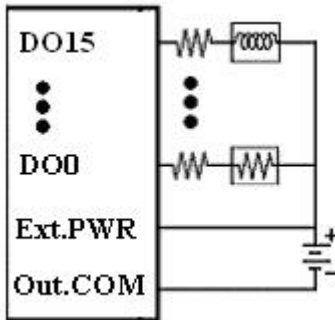


Pin definition

Signal Name	Type	Definition
DO0-DO15	Output	Digital output port
Ext.PWR	Output	External power positive port
Out.COM	Output	Digital ground, external power negative pot

Chapter 4 Connection Ways for Input and Output

4.1 Open-collector Connection



Chapter 5 Address Allocation Table

Address Assignment = base address + offset address

A9	A8	A7	A6	A5	A4	A3	A2	A1	A0
----	----	----	----	----	----	----	----	----	----

Offset address A2 ~ A0 are controlled by the software.

Offset address and channel corresponding relation table

Offset	Address	Channel
00		D0~D7 channels
02		D8~D15channels
04		D16~D23channels
06		D24~D31channels
Note: other offset address is invalid.		

Note: if this card base address is 300H, then this card which occupies the valid address is (300~306H). Other PC104 boards cannot use this segment address.

For example

A9	A8	A7	A6	A5	A4	A3	A2	A1	A0
1	1	0	0	0	0	0	x	x	x

Base address is: 0x300 (ART2521 default address is 0x300).

The address is 0x300, then visit D0 ~ D7 channels.

The address is 0x302, then visit D8 ~ D15 channels.

Chapter 6 Notes and Warranty Policy

6.1 Notes

In our products' packing, user can find a user manual, a Art2521 module and a quality guarantee card. Users must keep quality guarantee card carefully, if the products have some problems and need repairing, please send products together with quality guarantee card to ART, we will provide good after-sale service and solve the problem as quickly as we can.

When using Art2521, in order to prevent the IC (chip) from electrostatic harm, please do not touch IC (chip) in the front panel of Art2521 module.

6.2 Warranty Policy

Thank you for choosing ART. To understand your rights and enjoy all the after-sales services we offer, please read the following carefully.

1. Before using ART's products please read the user manual and follow the instructions exactly. When sending in damaged products for repair, please attach an RMA application form which can be downloaded from: www.art-control.com.
2. All ART products come with a limited two-year warranty:
 - The warranty period starts on the day the product is shipped from ART's factory
 - For products containing storage devices (hard drives, flash cards, etc.), please back up your data before sending them for repair. ART is not responsible for any loss of data.
 - Please ensure the use of properly licensed software with our systems. ART does not condone the use of pirated software and will not service systems using such software. ART will not be held legally responsible for products shipped with unlicensed software installed by the user.
3. Our repair service is not covered by ART's guarantee in the following situations:
 - Damage caused by not following instructions in the User's Manual.
 - Damage caused by carelessness on the user's part during product transportation.
 - Damage caused by unsuitable storage environments (i.e. high temperatures, high humidity, or volatile chemicals).
 - Damage from improper repair by unauthorized ART technicians.
 - Products with altered and/or damaged serial numbers are not entitled to our service.
4. Customers are responsible for shipping costs to transport damaged products to our company or sales office.
5. To ensure the speed and quality of product repair, please download an RMA application form from our company website.

Products Rapid Installation and Self-check

Rapid Installation

Product-driven procedure is the operating system adaptive installation mode. After inserting the disc, you can select the appropriate board type on the pop-up interface, click the button **【driver installation】**; or select CD-ROM drive in Resource Explorer, locate the product catalog and enter into the APP folder, and implement Setup.exe file. After the installation, pop-up CD-ROM, shut off your computer, insert the PCI card. If it is a USB product, it can be directly inserted into the device. When the system prompts that it finds a new hardware, you do not specify a drive path, the operating system can automatically look up it from the system directory, and then you can complete the installation.

Self-check

At this moment, there should be installation information of the installed device in the Device Manager (when the device does not work, you can check this item.). Open "Start -> Programs -> ART Demonstration Monitoring and Control System -> Corresponding Board -> Advanced Testing Presentation System", the program is a standard testing procedure. Based on the specification of Pin definition, connect the signal acquisition data and test whether AD is normal or not. Connect the input pins to the corresponding output pins and use the testing procedure to test whether the switch is normal or not.

Delete Wrong Installation

When you select the wrong drive, or viruses lead to driver error, you can carry out the following operations: In Resource Explorer, open CD-ROM drive, run Others-> SUPPORT-> PCI.bat procedures, and delete the hardware information that relevant to our boards, and then carry out the process of section I all over again, we can complete the new installation.